

ITEM NO	
QUANTITY	
JOB NAME	
JOB NO	

WOOD FIRE GRILL

SPECIFICATION SHEET



CP-WFG-72
SHOWN

SPECIFICATIONS

The CHAR[®] solid fuel Wood Fire Grill is built to last. The body of the grill is 1/4" steel construction. This grill has an insulated exterior and a fire brick lined fire box. The unit has removable grilling grates, with options for laser cut stainless steel, "V" style, round rod style, or flat griddle plates. The lower section is for wood storage. The base model has a beautiful satin black powder coated finish. Optional colors, including stainless steel, are available. Please contact a CHAR[®] representative for color options.

AVAILABLE MODELS

- CP-WFG-48
- CP-WFG-60
- CP-WFG-72
- CP-WFG-96
- CP-WFG-120

STANDARD FEATURES

- 1/4" thick powder coated steel body
- Ceramic insulated exterior surface
- 1/4" Steel welded fire box
- Fire brick lined
- 3/8" Thick laser cut removable steel grates
- Heavy duty 6" swivel casters (two locking)
- Two year warranty: parts and labor

OPTIONS

- 6" ADJUSTABLE LEGS
- 3/8" THICK POLISHED GRIDDLE PLATE
- STAINLESS STEEL LASER CUT GRATES
- V-STYLE GRATES
- ROUND ROD GRATES
- ROTISSERIE W/ SKEWER
- PAN CUT-OUTS
- ASH CART
- WOOD CART
- CUSTOM COLOR FINISH

CONSULTANT APPROVAL:

NOTES:

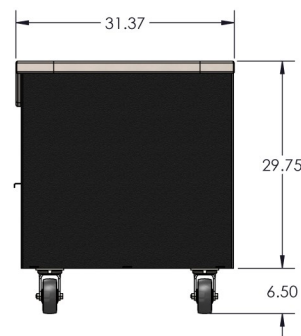
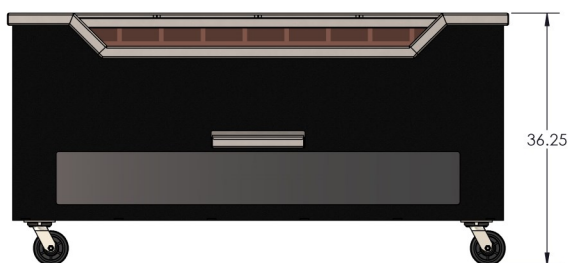
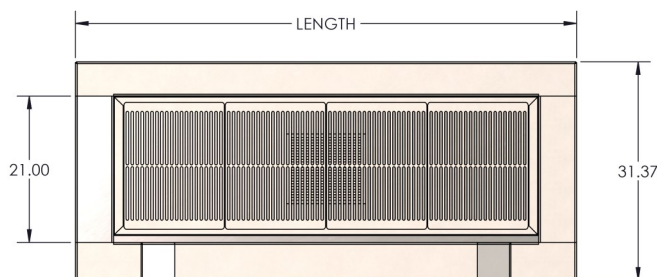
DATE:





APPLIANCES WITH SOUL®

MODEL #	LENGTH	SHIPPING WEIGHT ESTIMATED
CP-WFG-48	48"	950 LBS.
CP-WFG-60	60"	1100 LBS.
CP-WFG-72	72"	1500 LBS.
CP-WFG-96	96"	1850 LBS.
CP-WFG-120	120"	2250 LBS.



INSTALLATION INSTRUCTIONS

1. An adequate ventilation system is required for commercial use. DO NOT ATTEMPT TO OPERATE THIS EQUIPMENT WITHOUT IT.
2. Observe all local and national codes.
3. This appliance is manufactured for commercial use ONLY. It is NOT intended for residential indoor use.
4. We upgrade our products regularly and in doing so, materials, specifications, and model numbers are subject to change without notice.