

ITEM NO	
QUANTITY	
JOB NAME	
JOB NO	

ROUND ROTATING DESSERT DISPLAY

SPECIFICATION SHEET



CP-RRDD-42

AVAILABLE MODELS

- CP-RRDD-36
- CP-RRDD-42
- CP-RRDD-48

STANDARD FEATURES

- 1/2" Thick tempered glass shelves
- Segmented bottom shelf for easy cleaning
- Dual speed controls
- Full 304 stainless steel construction
- Mirror finish stainless steel center column
- Heavy duty drive motor
- Two year warranty: parts and labor

SPECIFICATIONS

The CHAR[®] Round Rotating Dessert Display is a glass, three tier product display unit. This ambient temperature display case elegantly shows any dessert pastry product in a 360 degree view for maximum presentation. Speed control allows for the setting at optimal viewing pleasure and can be slowed or turned off easily. Designed to be integral to a counter with the base hidden behind the cabinet and only the glass shelves visible. The bottom glass section is in four segments for easy removal and cleaning. The upper glass shelves are easily cleaned from top to bottom.

OPTIONS

- STAINLESS STEEL CABINET BASE
- NEMA 5-15 115V PLUG
- STARFIRE GLASS SHELVES
- LOCKING CABINET DOORS



CONSULTANT APPROVAL: _____

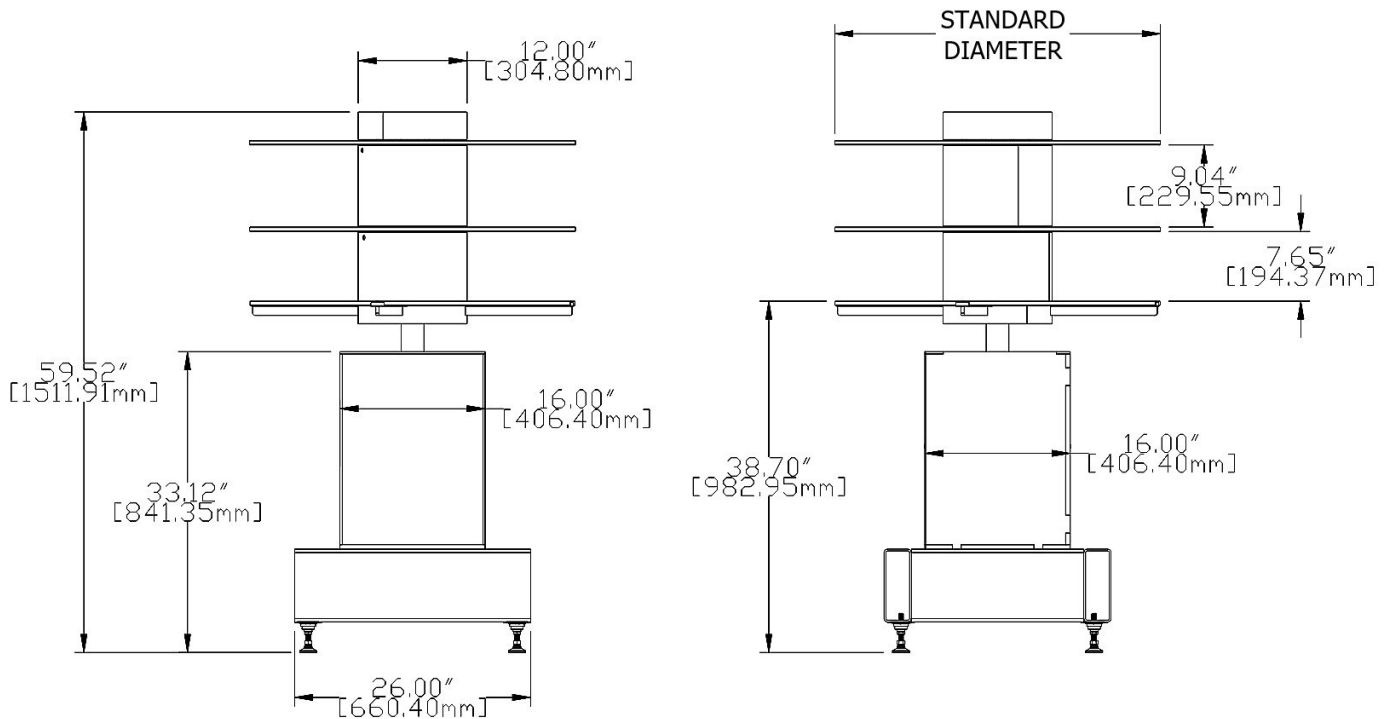
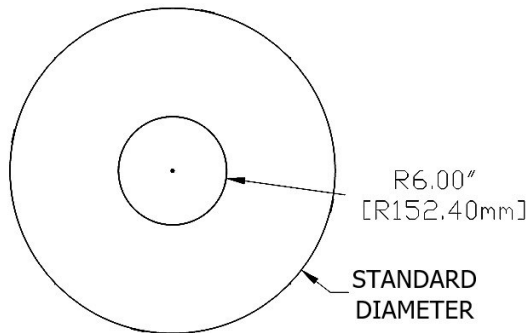
NOTES: _____

DATE: _____



APPLIANCES WITH SOUL®

MODEL #	STANDARD DIAMETER	ELECTRIC	SHIPPING WEIGHT ESTIMATED
CP-RRDD-36	36"	120V-1PH-20A	650 LBS.
CP-RRDD-42	42"	120V-1PH-20A	725 LBS.
CP-RRDD-48	48"	120V-1PH-20A	800 LBS.



INSTALLATION INSTRUCTIONS

1. Observe all local and national codes.
2. This appliance is manufactured for commercial use ONLY. It is NOT intended for residential use.
3. We upgrade our products regularly and in doing so, materials, specifications, are subject to change without notice.

CHAR Products, LLC

Ph. 702-489-9888
Fax. 702-489-9898

2

Website: www.charprd.com 2915 Losee Rd, Ste 106
Email: info@charprd.com N. Las Vegas, NV 89030