

ITEM NO	
QUANTITY	
JOB NAME	
JOB NO	

ROUND PLANCHA

SPECIFICATION SHEET



40" MODEL CP-RPL-40

SPECIFICATIONS

The CHAR[®] gas fueled Round Plancha is available in three accommodating sizes: 40", 48", and 60" diameters. This unit serves as a heavy duty griddle with a high polished stainless steel plate. To ensure peak performance and longevity, these units are constructed entirely out of 304 stainless steel. The optional rotating griddle top will showcase your product. Utilizing a tested and proven industrial gear motor, this unit offers years of uninterrupted operation of the rotating griddle surface. Adjustability achieved with a rotational speed controller. This Round Plancha will be the highlight of the cooking experience.

AVAILABLE MODELS

- CP-RPL-40
- CP-RPL-48
- CP-RPL-60

STANDARD FEATURES

- 14 gauge stainless steel body
- Left and right side gas valves
- Removable drip tray
- Fully welded 14 gauge stainless steel drip rail
- 1/2" Thick laser cut high polished stainless steel griddle plate
- Adjustable leveling feet
- Cast iron burners
- 3/4" Gas connection
- Appropriate regulator for gas type selected
- Two year warranty: parts and labor

OPTIONS

- ROTATING GRILL PLATE
- REMOVABLE 10" PLATE SHELF
- PLATE SHELF 1/6 PAN CONDIMENTS INSERTS
- 6" CASTER KIT
- NATURAL GAS
- PROPANE
- GAS SAFETY

** TYPE OF GAS MUST BE SPECIFIED **

CONSULTANT APPROVAL:

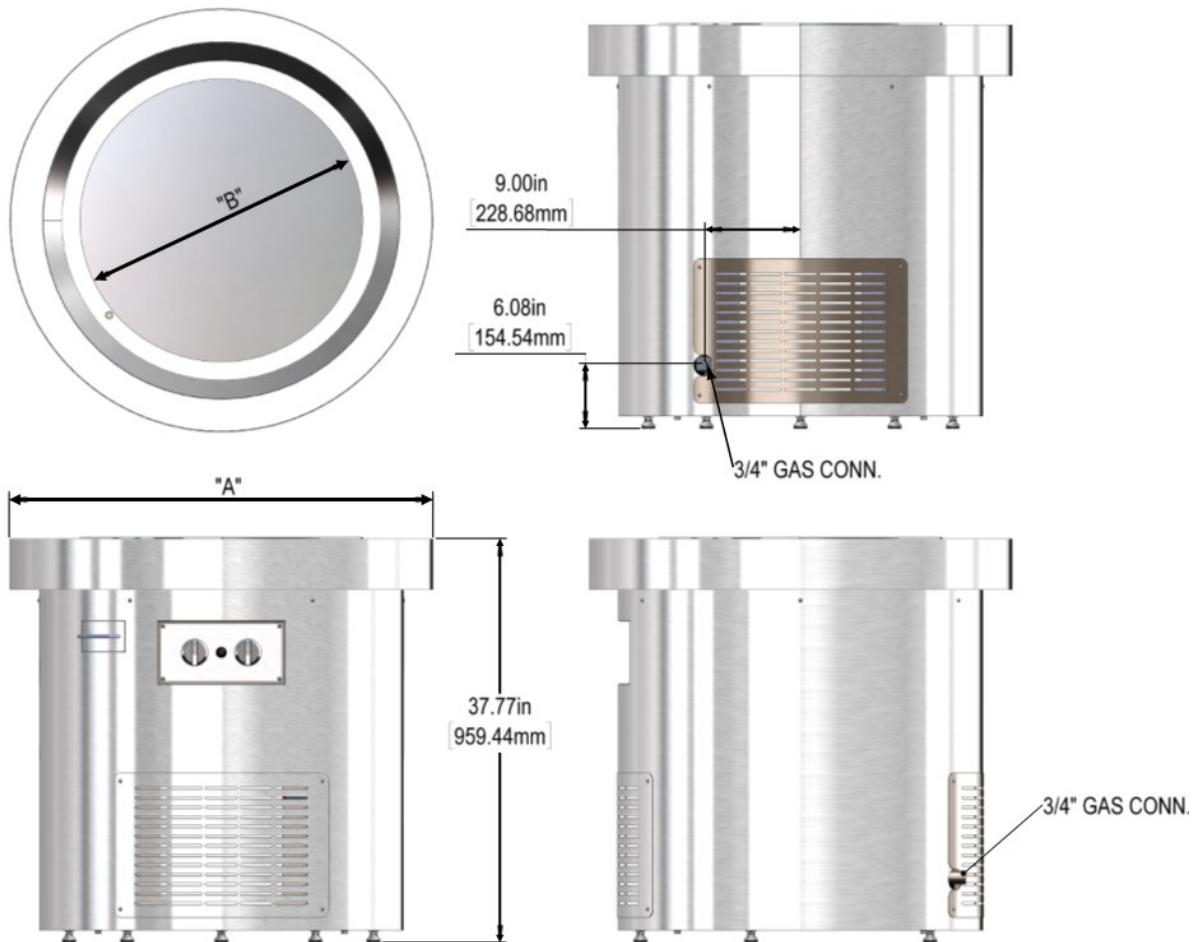
NOTES:

DATE:





MODEL #	SIZE A	SIZE B	FUEL LINE SIZE	ELECTRIC w/ gas safety	BTU INPUT –NG	SHIPPING WEIGHT EST.
CP-RPL-40	40"	26.5"	3/4"	120V-1PH-10A	168,000	475 LBS.
CP-RPL-48	48"	32.25"	3/4"	120V-1PH-10A	198,000	550 LBS.
CP-RPL-60	60"	40.25"	3/4"	120V-1PH-10A	222,000	675 LBS.



INSTALLATION INSTRUCTIONS

1. A properly sized gas line must be provided. All units are internally regulated. DO NOT DUAL REGULATE.
2. An adequate ventilation system is required for commercial use. DO NOT ATTEMPT TO OPERATE THIS EQUIPMENT WITHOUT IT.
3. Observe all local and national codes.
4. Proper combustion requires this unit to remain on casters or legs. If a curb installation is preferred, please contact CHAR Products for information in doing so.
5. This appliance is manufactured for commercial use ONLY. It is NOT intended for residential indoor use.
6. We upgrade our products regularly and in doing so, materials, specifications, and model numbers are subject to change without notice.